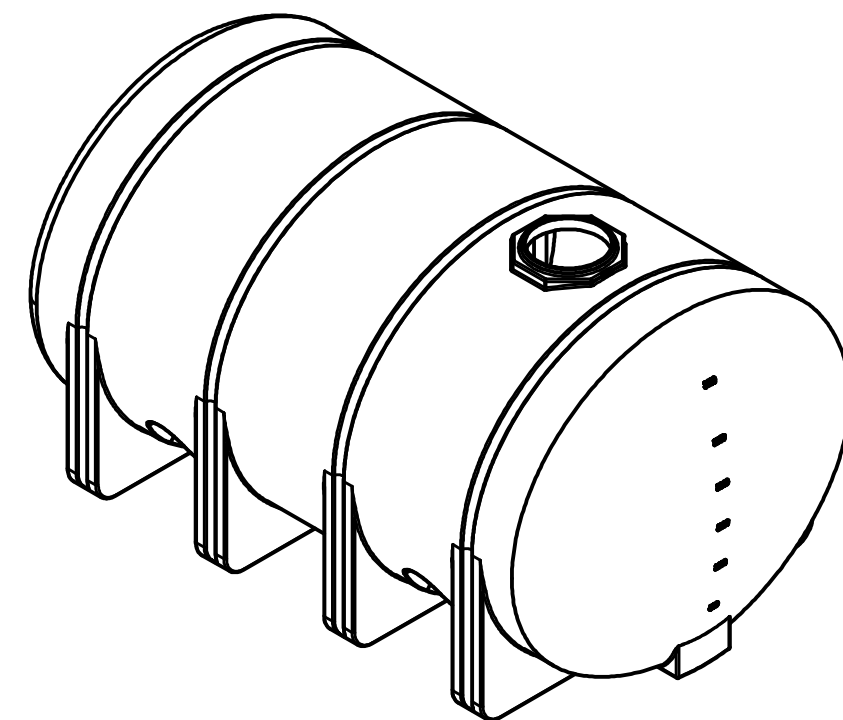



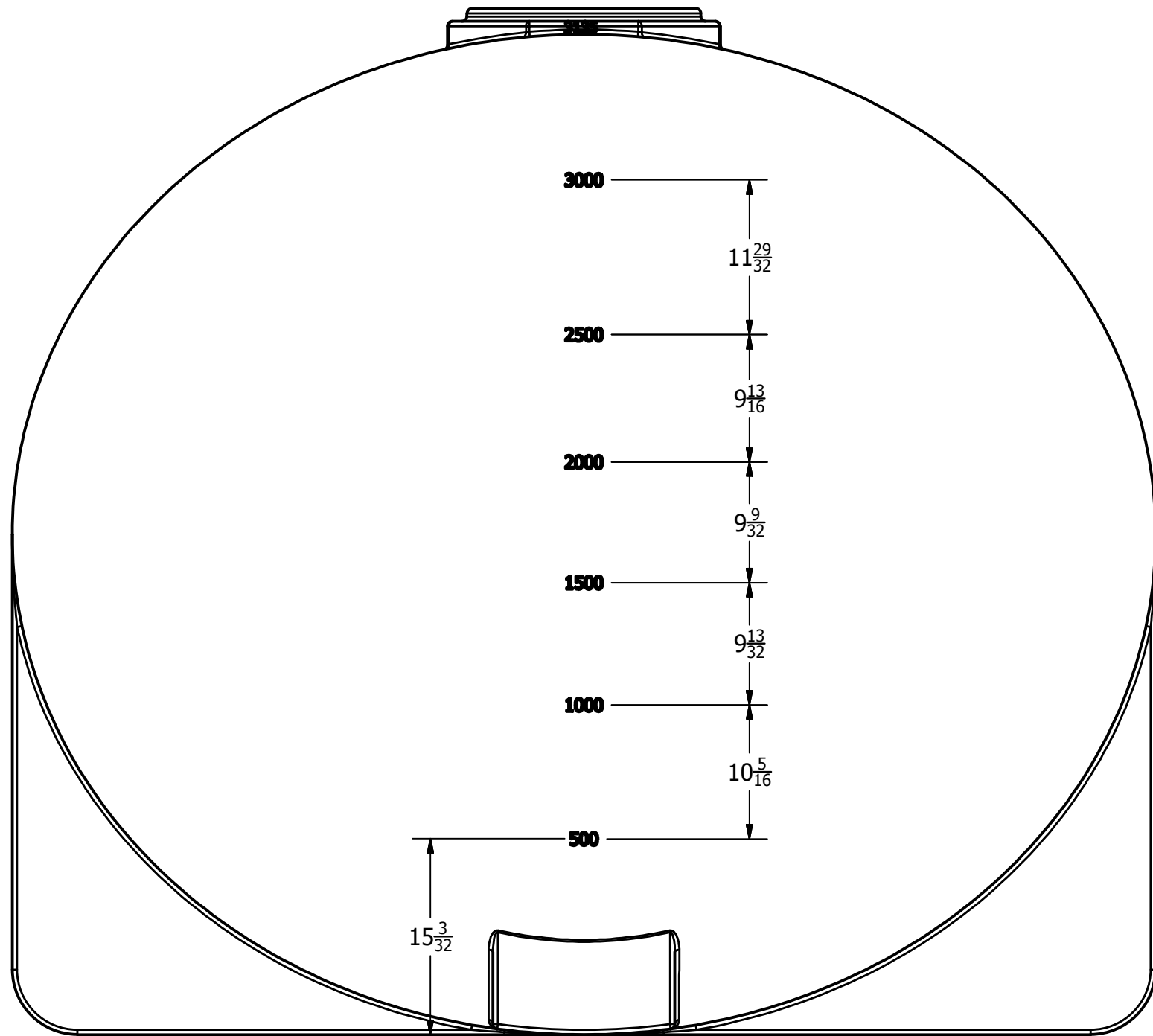
SECTION A-A  
SCALE 1:8




FOB ST. BONIFACIUS, MN SHAWNEE, OK & FAIRFIELD, TX

REVISION HISTORY			
REV	DESCRIPTION	DATE	AUTHOR
A	SPARGER FLAT REVISED	6/4/2004	
B	WAS 1) 2) 12 3) 137 1/2	11/21/2007	
C	SPARGER FLAT REMOVED	11/12/2008	
D	REDRAWN	8/6/2013	Michael Holden

DRAWN Jerry Paulson	6/29/1995	 NORWESCO, INC. SAINT BONIFACIUS, MN TITLE		
CHECKED				
QA		<b>3135 GALLON ELLIPTICAL LEG TANK</b>		
MFG				
APPROVED				
		SIZE <b>B</b>	DWG NO	REV <b>D</b>
		SCALE: 1/16	SHEET 1 OF 2	



DRAWN Jerry Paulson	6/29/1995			
CHECKED		NORWESCO, INC. SAINT BONIFACIUS, MN		
QA		TITLE		
MFG		3135 GALLON ELLIPTICAL LEG TANK		
APPROVED				
		SIZE <b>B</b>	DWG NO	REV D
		SCALE: 1/16	SHEET 2 OF 2	